



HOSHIZAKI

CERTIFICATION



HACCP International



ISO9001

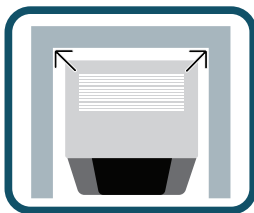
DCM-80LS-HC ICE & WATER DISPENSER



Key Features



Eco-Friendly Refrigerant



Perfect fit

There are no exhaust outlet on the left and right sides and the back, so it can be placed close to the wall.



Hygienic design

This Lever type of ice dispenser prevents touching the lip of a glass.



Easy for daily cleaning

Draining board can be removed



Easy for maintenance

Notify when parts should be replaced

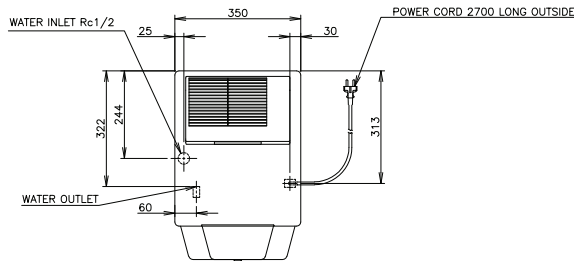
Hoshizaki DCM series are ice/water dispensers producing high-quality servings of cubelet ice and/or water. The three steps of quality ice production, protected ice storage, as well as quick service of ice are all combined in one device – with the help of only one button your refreshment is ready in seconds. With DCM DISPENSERS the user can select from these options:

- » Cubelet ice only
- » Cubelet ice and water
- » Water only



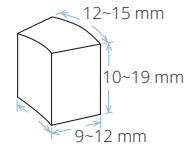
Dimensions & Specifications

TOP

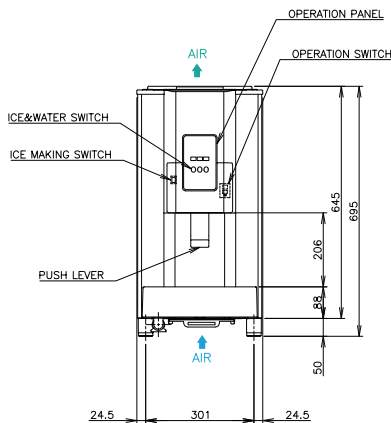


ICE SHAPE

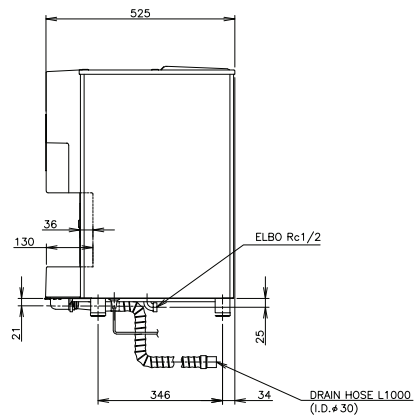
Cubelet
Compressed Flake Ice



FRONT



RIGHT SIDE



MODEL	DCM-80LS-HC	
ICE SHAPE	Cubelet (Compressed Flake Ice)	
POWER SUPPLY	1 Phase 220-240V 50Hz Capacity: 0.48kVA (2.1A)	
AMPERAGE	1.7A Started: 8.3A	
ELECTRIC CONSUMPTION	290W	
HEAT REJECTION	(AT32°C / WT21°C)	620W
ICE PRODUCTION PER 24H	(AT10°C / WT10°C)	80kg
	(AT21°C / WT15°C)	65kg
	(AT32°C / WT21°C)	50kg
ICE DISPENSING RATE (40G / CUP)	(AT10°C / WT10°C)	Approx. 130 cups / h
	(AT21°C / WT15°C)	Approx. 115 cups / h
	(AT32°C / WT21°C)	Approx. 99 cups / h
STORAGE CAPACITY	Approx. 1.9kg	
WATER CONSUMPTION PER 24H	(AT32°C / WT21°C)	50L
REFRIGERANT	R290	
OUTSIDE DIMENSIONS	350mm(W) x 525mm(D) x 695 (- 710)mm(H)	
PACKAGE	Carton 400mm(W) x 581mm(D) x 749mm(H)	
WEIGHT	41kg (Gross 44kg)	
OPERATING CONDITIONS	Ambient Temp:5-40°C, Water Supply Temp:5-35°C	
	Water Supply Pressure: 0.05-0.78MPa	
	Voltage Range: Rated Voltage±6%	



HOSHIZAKI

HOSHIZAKI MALAYSIA SDN. BHD.

No. 12, Jalan Penyajak U1/45B, Hicom-Glenmarie Industrial Park, 40150 Shah Alam, Selangor
TEL (+60) 3 5569 8023 | <https://hoshizaki.com.my/>

